

# BUSTER+PUNCH

LONDON

[ product. ]

## PULL BAR / PLATE / CROSS

[ type. **PULL BAR.** ]

[ knurl. **CROSS.** ]

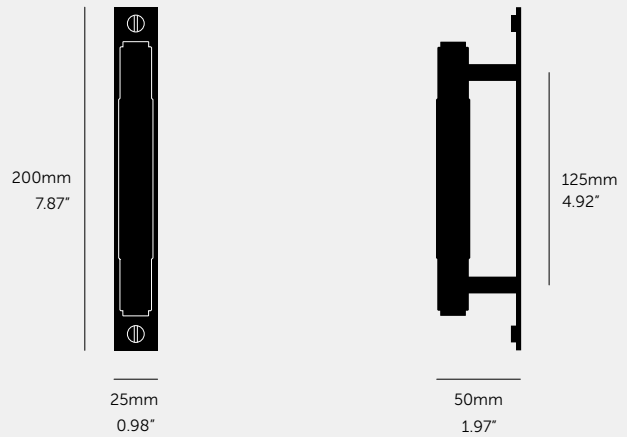
[ detail. **COIN SCREW.** ]

A pull bar made from solid brass. This pull bar features our signature, diamond-cut, cross-knurl pattern and is refined by hand. They work great on cabinet doors, wardrobe drawers, cupboards, kitchen units and just about anything that can open. Available in four metal finishes: steel, brass, smoked bronze and black.



[ type. **PULL BAR / PLATE / SMALL.** ]

[ info. **MEASUREMENTS.** ]



[ info. **SPECIFICATIONS.** ]

Rear Fixing

Fits doors of:

Max 20mm or <sup>25</sup>/<sub>32</sub>"\*

\*For thicker doors you will need to source longer M5 screws

[ info. **FINISH & SKU NUMBERS.** ]

[ finish. ]	[ UK. ]	[ US. ]
Steel	UK-PB-HP-160-ST-A	US-PB-HP-6.3-ST-A
Brass	UK-PB-HP-160-BR-A	US-PB-HP-6.3-BR-A
Smoked Bronze	UK-PB-HP-160-SM-A	US-PB-HP-6.3-SM-A
Black	UK-PB-HP-160-BL-A	US-PB-HP-6.3-BL-A

[ info. **CARE INSTRUCTIONS.** ]

Wipe with damp cloth with no loose hairs, avoid using any chemicals. All finishes are prone to aging.

[ info. **INCLUDED.** ]

**1 x Pull Bar**

1x Back Plate

2x Coin Screws

2x M5 x 30 mm screws

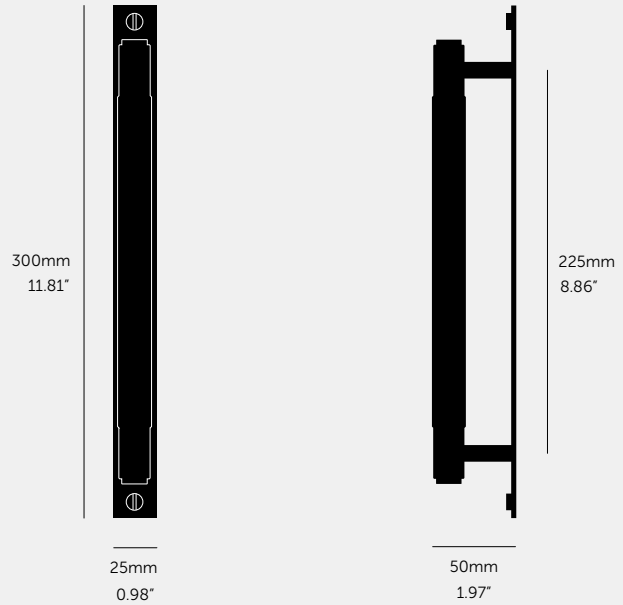
2x M5 washers

[ please. **NOTE.** ]

DISCLAIMER: Always consult a trade professional when installing these pull bars. Buster + Punch is not responsible for the usage or feasibility of installation requirements. This product is not suitable for damp or wet environments.

[ type. **PULL BAR / PLATE / MEDIUM.** ]

[ info. **MEASUREMENTS.** ]



[ info. **SPECIFICATIONS.** ]

Rear Fixing

Fits doors of:

Max 20mm or <sup>25</sup>/<sub>32</sub>"\*

\*For thicker doors you will need to source longer M5 screws

[ info. **FINISH & SKU NUMBERS.** ]

[ finish. ]	[ UK. ]	[ US. ]
● Steel	UK-PB-HP-260-ST-A	US-PB-HP-10.2-ST-A
● Brass	UK-PB-HP-260-BR-A	US-PB-HP-10.2-BR-A
● Smoked Bronze	UK-PB-HP-260-SM-A	US-PB-HP-10.2-SM-A
● Black	UK-PB-HP-260-BL-A	US-PB-HP-10.2-BL-A

[ info. **CARE INSTRUCTIONS.** ]

Wipe with damp cloth with no loose hairs, avoid using any chemicals. All finishes are prone to aging.

[ info. **INCLUDED.** ]

**1 x Pull Bar**

1x Back Plate

2x Coin Screws

2x M5 x 30 mm screws

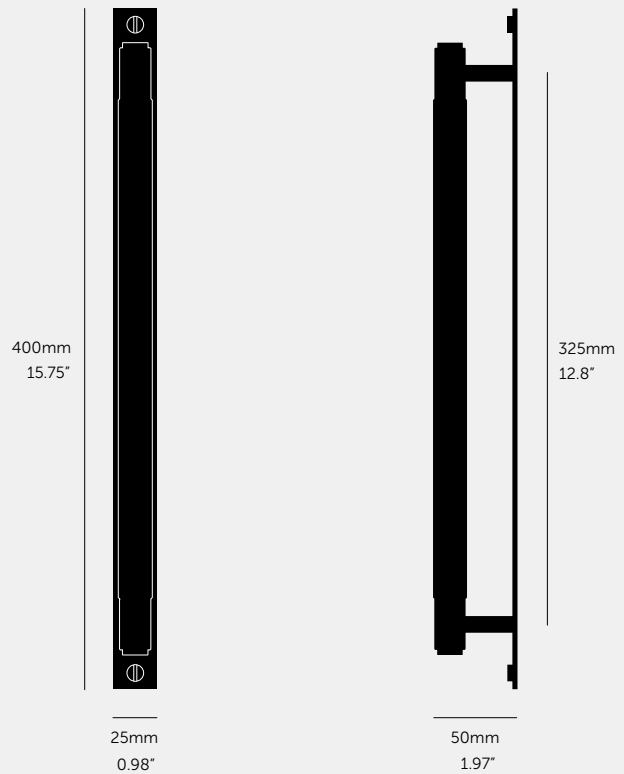
2x M5 washers

[ please. **NOTE.** ]

DISCLAIMER: Always consult a trade professional when installing these pull bars. Buster + Punch is not responsible for the usage or feasibility of installation requirements. This product is not suitable for damp or wet environments.

[ type. **PULL BAR / PLATE / LARGE.** ]

[ info. **MEASUREMENTS.** ]



[ info. **SPECIFICATIONS.** ]

Rear Fixing

Fits doors of:

Max 20mm or <sup>25</sup>/<sub>32</sub>"\*

\*For thicker doors you will need to source longer M5 screws

[ info. **FINISH & SKU NUMBERS.** ]

[ finish. ]	[ UK. ]	[ US. ]
● Steel	UK-PB-HP-360-ST-A	US-PB-HP-14.2-ST-A
● Brass	UK-PB-HP-360-BR-A	US-PB-HP-14.2-BR-A
● Smoked Bronze	UK-PB-HP-360-SM-A	US-PB-HP-14.2-SM-A
● Black	UK-PB-HP-360-BL-A	US-PB-HP-14.2-BL-A

[ info. **CARE INSTRUCTIONS.** ]

Wipe with damp cloth with no loose hairs, avoid using any chemicals. All finishes are prone to aging.

[ info. **INCLUDED.** ]

**1 x Pull Bar**

1x Back Plate

2x Coin Screws

2x M5 x 30 mm screws

2x M5 washers

[ please. **NOTE.** ]

DISCLAIMER: Always consult a trade professional when installing these pull bars. Buster + Punch is not responsible for the usage or feasibility of installation requirements. This product is not suitable for damp or wet environments.