

## Base thread 185,5 mm LED

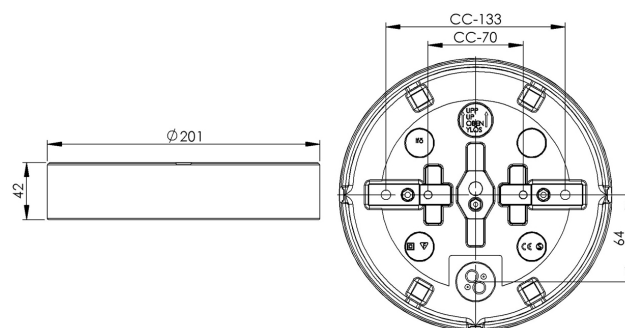
Porcelain base, suitable for all 185.5 mm threaded sleeves. Available in white, gray, brown and black. To be completed with LED module of your choice. LED module can be bought as spare part.

EAN / GTIN	7312905752803
E-number	7501385
Article no.	55752-800-10
Type designation	8262/LED



### Specification

Material	Porcelain
Base colour	White (NCS S 1000-N)
Glass thread (mm)	185,5 mm
Glass gasket	Silicone
Weight	1,38 kg
Diameter (mm)	201
Height (mm)	42
Lamp holder	Without lamp holder
Light source	
LED module, max 12W (not included)	
Effect	Max 12W
Rated voltage	230V
IP class	IP44
Insulation class	II
D class	No
IK class	IK02
Ta	-30 - +25
Installation	Ceiling/wall
CC measurement (mm)	133, 70
Knock out opening	3
Cable inlet	Bottom inlet
Cable glands	Bottom inlet
Bridging	Yes
Surface mounted cable	Yes
Family	Bases



### Luminaire specific information

Complete with a LED module, max 12W.

### Maintenance

Disconnect the power to the luminaire. Unscrew the glass and clean it. Do not use detergents that contain solvents. Replace LED module if necessary. Check the gasket and replace it if necessary. Screw the shade back on.

### Spare parts

LED module 12W 3000K IOT, Article no.: 1-54064-930

*If the base is modified the person responsible for the modification shall be considered manufacturer. Subject to errors in text. We reserve the right to change the technical specifications (without notice).*